

Sign Holder 2

easy to convert between **portrait** and **landscape**, this highly versatile poster display is ideal for a huge range of applications

- Easily adjustable height – simple ‘clip and slide’ mechanism
- Quick and easy to change between portrait and landscape
- Display angle easily adjustable between 0 and 90 degrees
- Front-opening **snapframes** for quick and easy poster change
- Soft round corners for safety
- All adjustments made by hand – no tools required
- Anti-glare **PET poster cover** ensures clarity of message
- Base features hidden **steel plate** for optimum stability
- Available in A4 and A3 stock sizes



In stock



3 minutes to assemble



Recyclable

Aluminium frame, PET poster cover, aluminium stand and steel base plate



Quick and easy to change between portrait and landscape format

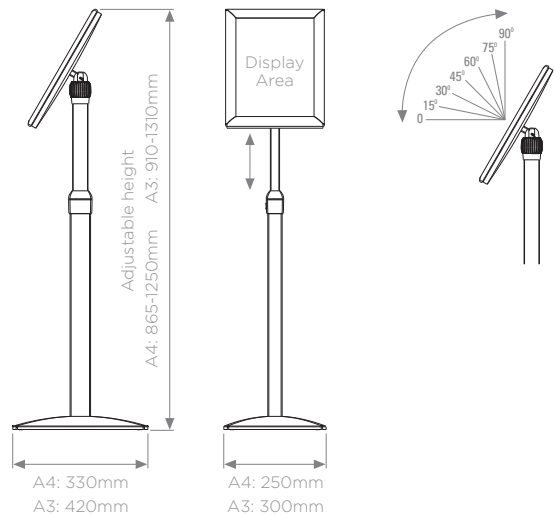


Easily adjustable height – simply unclip and slide pole up/down

Bases feature hidden steel plate for optimum stability



Portrait format



Size	Format	Dimensions (w x h mm)	Display Area (mm)	Weight (kg)
A4	Landscape	330 x 865-1205	190 x 277	5.2
	Portrait	250 x 910-1250	190 x 277	5.2
A3	Landscape	420 x 910-1250	277 x 400	6.8
	Portrait	300 x 970-1310	277 x 400	6.8