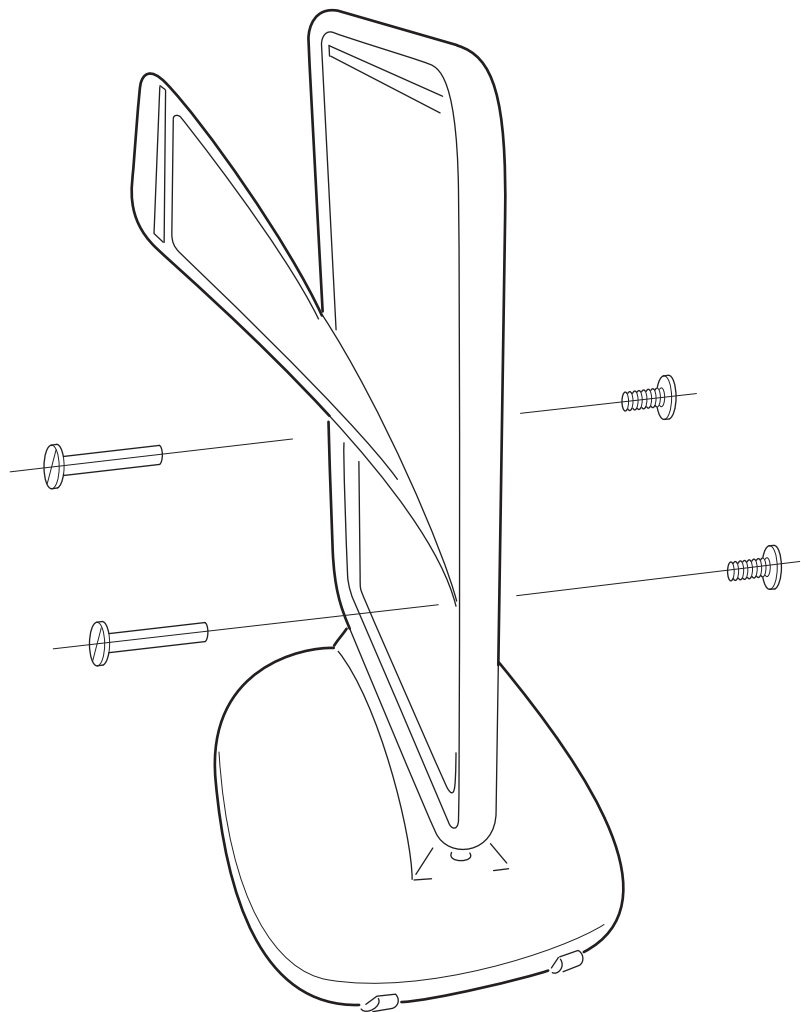


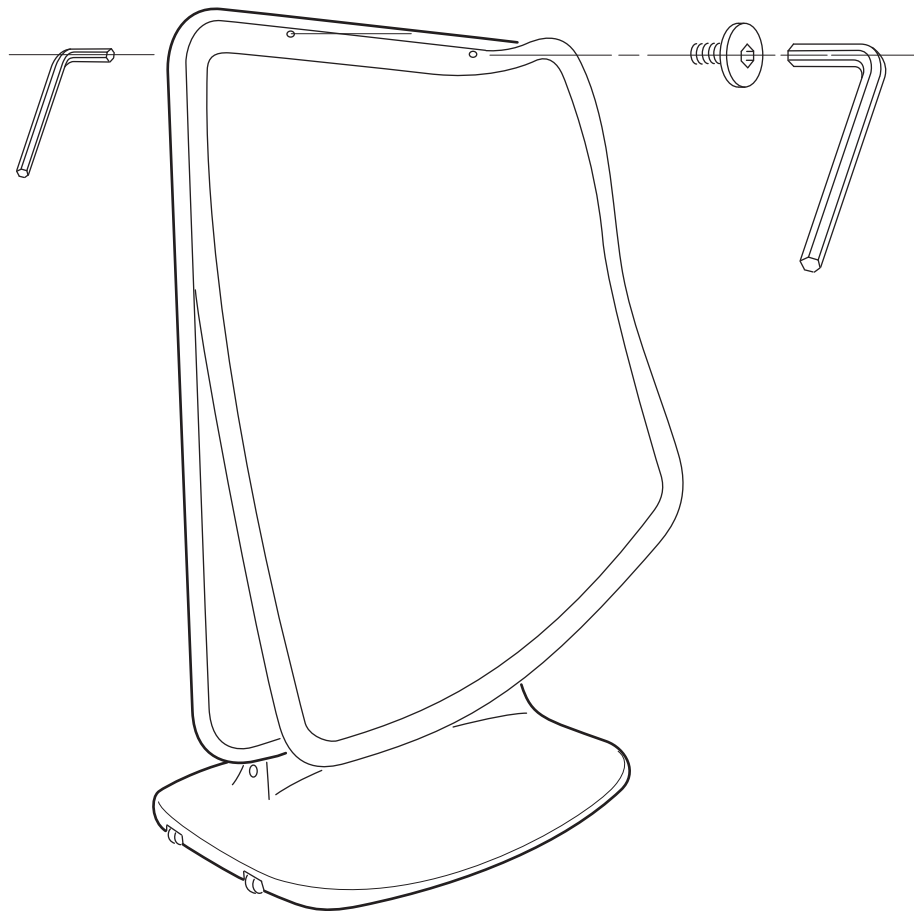
Panel Replacement



Remove the 2 No. Screws.
Remove & discard the damaged panels.
Make sure the holes in the new panel align with the holes in the frame.
Fit & **fully tighten** the replacement Screws.

OR

Panel Replacement



Use the two Allen keys supplied to release one of the fixings. Molegrips may be required to grip the remaining thread to assist in the removal of the second fixing.
Remove & discard the damaged panels.
Make sure the holes in the new panel align with the holes in the frame.
Fit & **fully tighten** the replacement Screws.