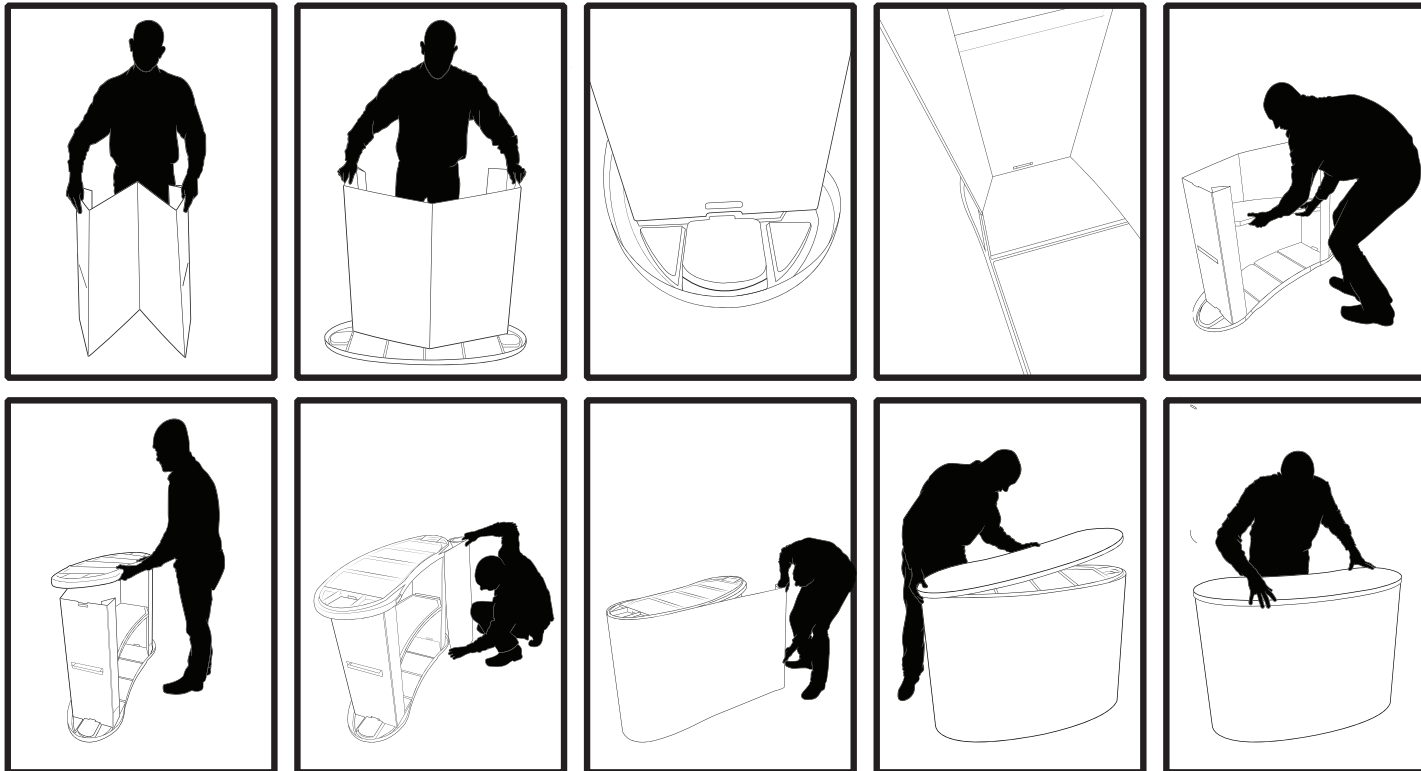
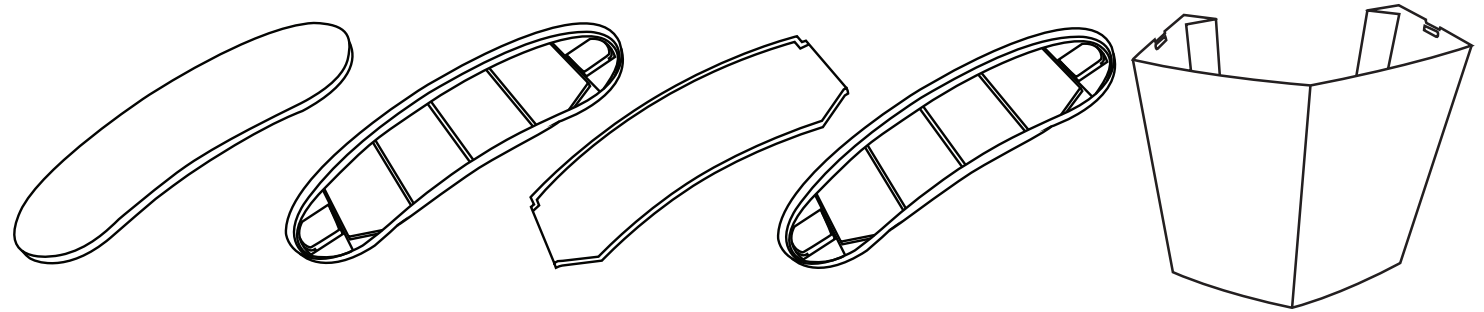


Carton size: 1255(w) x 620(d) x 135mm(h)
Counter height: 910mm
Max overall size: 1240(w) x 420(d) x 905mm(h)

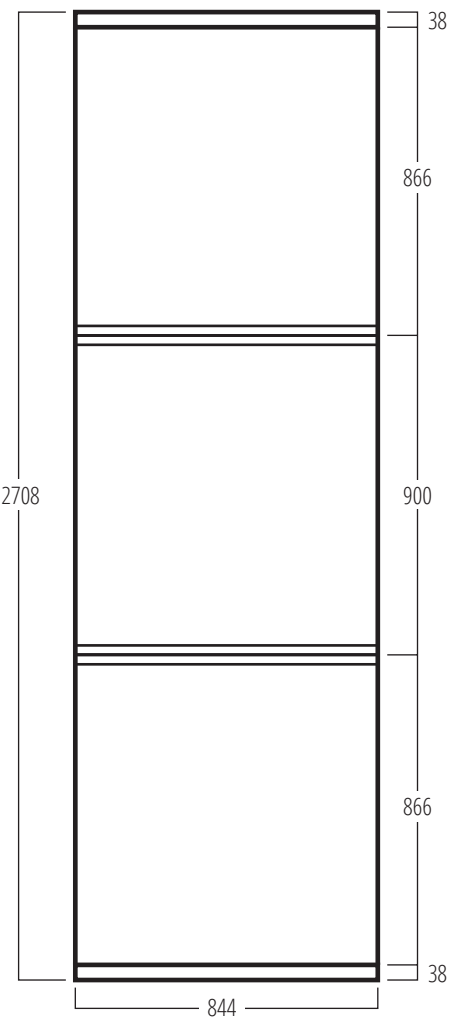


Weights in Kg

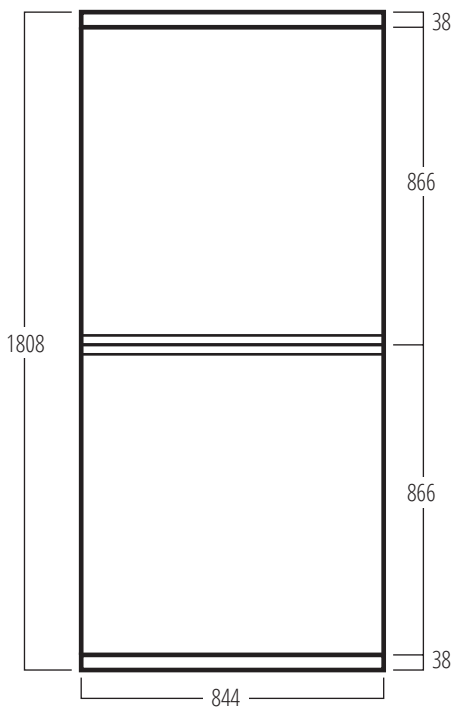
Top.....	0.80
Joining Component.....	1.88
Bottom.....	0.80
Body Panel.....	3.52
Bag.....	1.06

Packaging in Kg

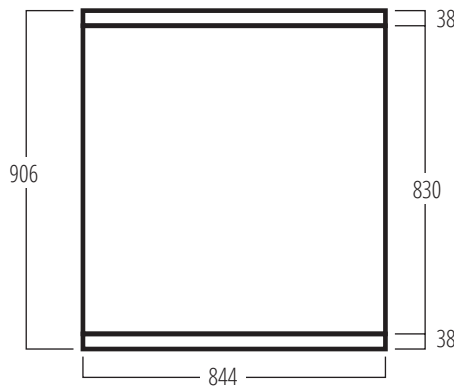
Individual reusable carton (One Unit)	2.48
External size: 1075(w) x 940(d) x 70(h)mm	
Individual reusable carton (Two Unit Tower)	2.52
External size: 1075(w) x 940(d) x 110(h)mm	
Individual reusable carton (Three Unit Tower) ...	5.00
Two cartons, One Unit and Two Units	



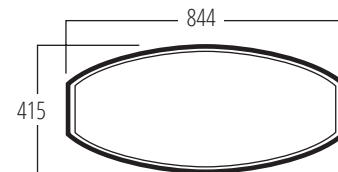
Three Units



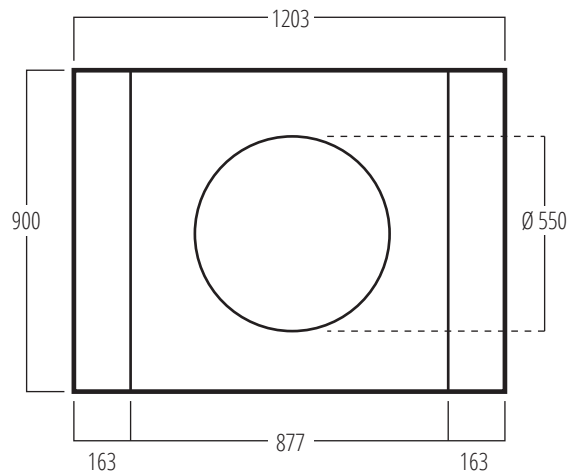
Two Units



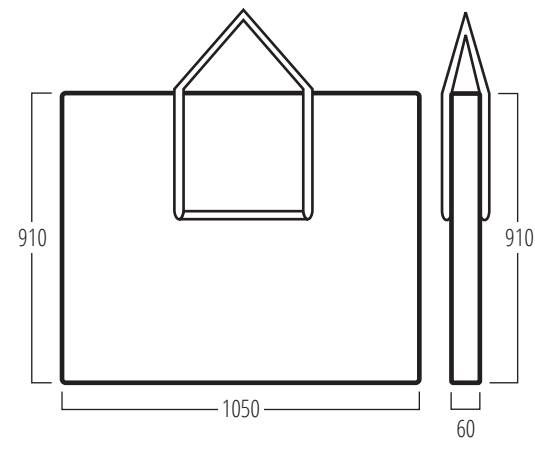
Single Unit



Top / Bottom



Graphic Size with Optional Cut Out
Allow 35mm for top and bottom



Carry Bag