

Artwork Specification Sheet

Event Dome

mirage[®]
display

www.miragedisplay.co.uk

Artwork requirements

- Please set up at the scale of the template supplied
- Take note of the bleed guidelines and Seam guides.
- Please create artwork using Illustrator CS or supply as a High Resolution PDF.
- If using photographic images or heavy tinted images then please supply using Photoshop CS at a minimum of 72dpi at 100%. For best results apply text in Illustrator.
- Please outline ALL fonts when supplying the artwork.
- If an accurate colour match is required please supply a Pantone / CMYK colour or send a printed reference. We will then match to this as closely as possible but cannot guarantee an exact match.
- Artwork can be supplied by either email, CD/DVD or uploaded to our website www.miragedisplay.co.uk, select Artwork then select Upload Artwork and follow instructions.



Illustrator

- Save as CMYK at final size / full size
- OUTLINE ALL FONTS
- Turn off all Overprints, supply all Links and flatten Transparency
- If supplying a High Res PDF do not compress and supply with all bleed and crop marks



Adobe Acrobat

- If supplying a PDF as your final artwork, ensure all images are not reduced / compressed, crop marks and bleed are included and visual lines are not included inside the artwork.



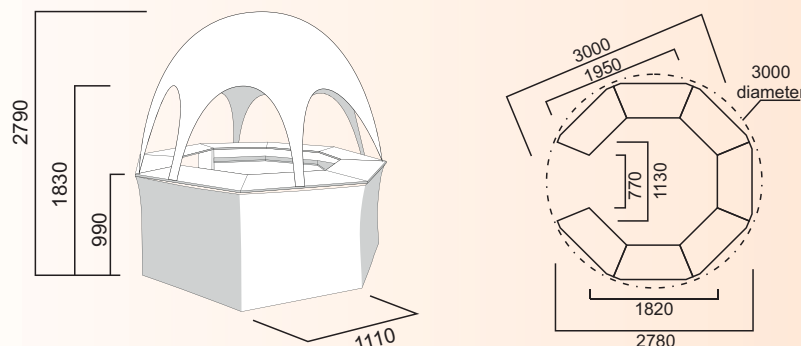
Photoshop

- Set up CMYK at 100% at a minimum of 72dpi
- Supply a low resolution PDF for visual purposes
- If artwork set up in Photoshop, text/logos will not be vectored and will have some pixelation when printed full size,
- supply the layered Photoshop document (PSD file).

We don't print Gold or Silver, so these are the best colour conversions we recommend for Gold & Silver

GOLD 1 22m 100y 25k	GOLD 2 19m 100y 19k	GOLD 3 16c 20m 100y 25k	GOLD 4 60c 65m 100y	GOLD 5 38m 100y 25k
SILVER 1 4c 15k	SILVER 2 6c 25k	SILVER 3 6c 34k	SILVER 4 11k	SILVER 5 6c 4y 23k

When using the template, please do not, reposition or rescale the template, as the position is necessary for printing and please outline all the fonts used.



Size

Height - 2.79 metres
Diameter - 3 metres

mirage[®]
display

www.miragedisplay.co.uk

Mirage Display Ltd. Unit 11 Marsland Street, Hazel Grove, Stockport SK7 4ER

Telephone: 0161 482 7997 Fax: 0161 456 8074 Email: enquiries@miragedisplay.co.uk