

PRODUCT SHEET

Black Lockable Menu Stand / LED

Hospitality Space Equipment | Menu Displays and Cases



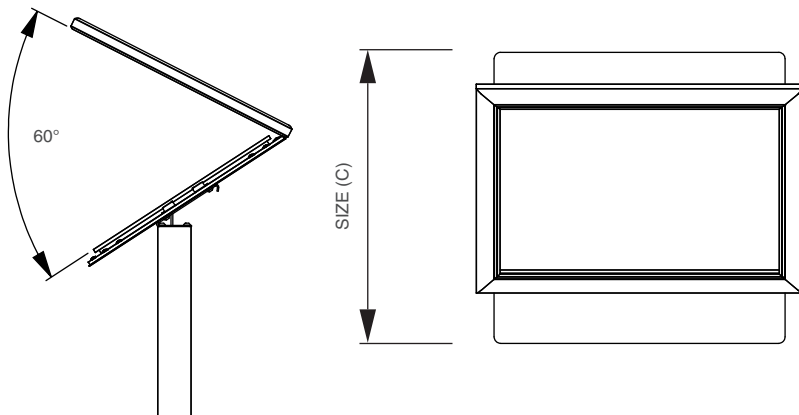
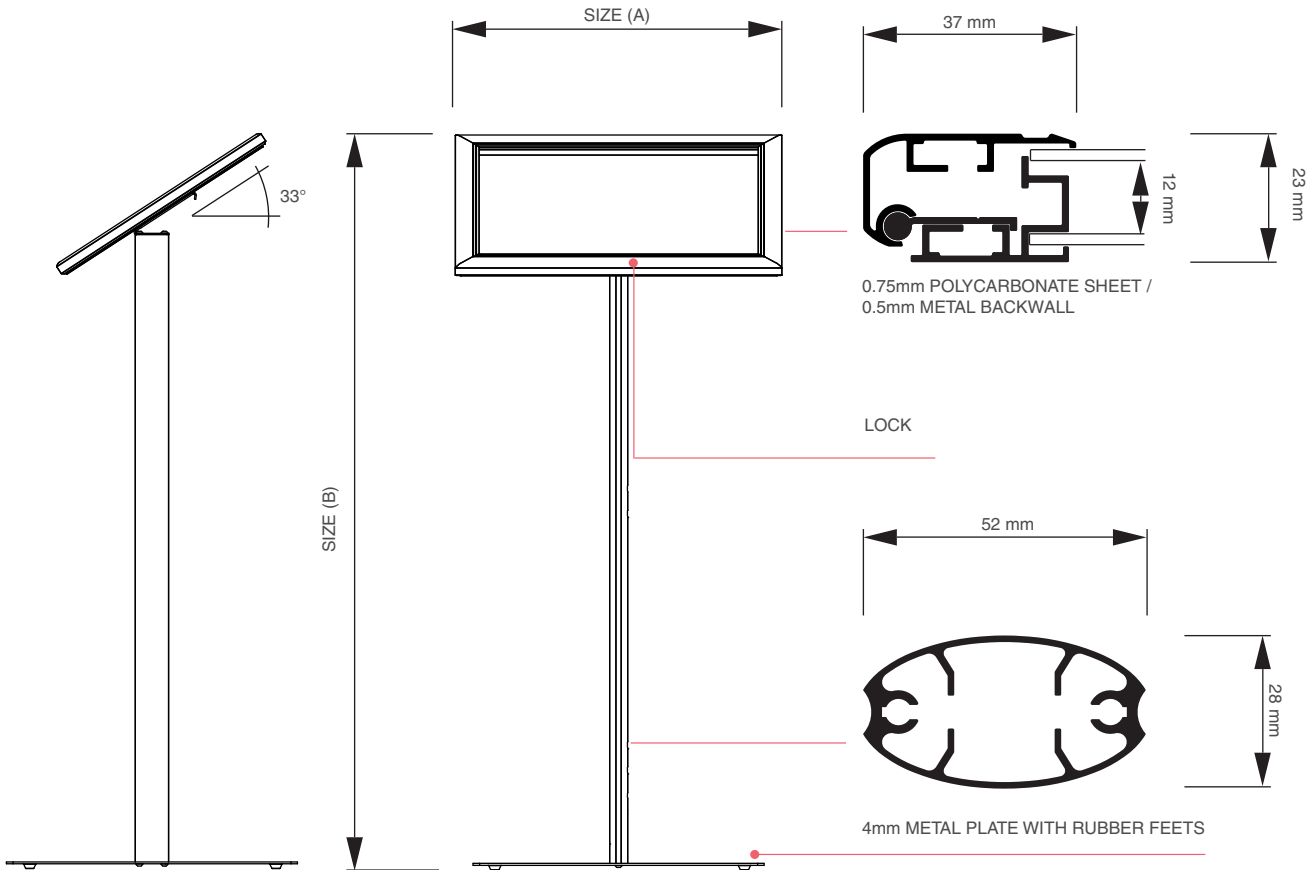
Black Lockable Menu Stand / LED

- freestanding menu case in size 2 A4 pages
- suitable for indoor and outdoor use
- illuminated version 12/24V LED
- exposed LED strips to attract attention
- pages held in place using magnets
- standard option in elegant black colour
- minimalistic design without header plate

PRODUCT SHEET

Black Lockable Menu Stand / LED

Hospitality Space Equipment | Menu Displays and Cases



PRODUCT SHEET

Black Lockable Menu Stand / LED

Hospitality Space Equipment | Menu Displays and Cases



EAN / GTIN	Capacity	Visible size	Size (A x B x C)	Power	Net weight
8596052043017	2x A4	435 x 307 mm	505 x 1125 x 450 mm	-	9,40 kg
8596052043208	2x A4	435 x 307 mm	505 x 1125 x 450 mm	24 W	9,90 kg

Packing size	Packing weight	Pcs / pallet	Weight of pallet	Volumetric weight	Belt size	Shipping
562 x 1022 x 62 mm	10,50 kg	40	440 kg	7,12 kg	2270 mm	TOF
562 x 1022 x 62 mm	11,00 kg	40	460 kg	7,12 kg	2270 mm	TOF