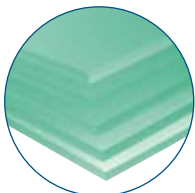
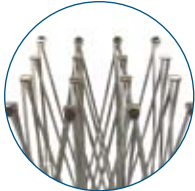




Maxibit Network & NW Frost, Pop-up System



Network – now with Al!

At the heart of the Network display lies a sturdy muscular frame whose strength belies its weight. Made from an anodised high-grade aircraft Aluminium (Al), the materials used in Network's expanding frame has a proven durability and is virtually impossible to break in normal use. With both an extremely high strength to weight ratio and a strong resistance to oxidation, Network's frame gives the user a high quality lightweight system, virtually unmatched, that can be mobilised and worked with over and over again.

The Power of Change

Network's unique design makes it extremely flexible and its configuration easy to change. In a few simple steps and without using tools, you can expand, reduce or even reconfigure the whole system, any time or anywhere. From a flat panel to a curved surface, and then to an elegant s-shape, one Network system can be a 4x3, 225 cm high straight display in Montreal on Monday, even though it was a 4x4, 300 cm high S-shape in Sydney on Sunday. Further still, the light weight material used in its construction allows the whole system to be hung from above, creating impressive arches and spectacular ceilings.

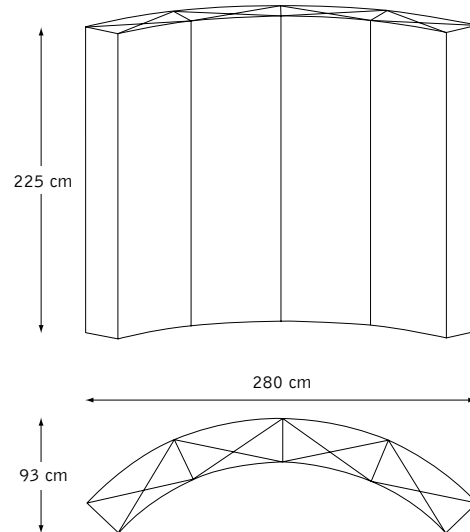
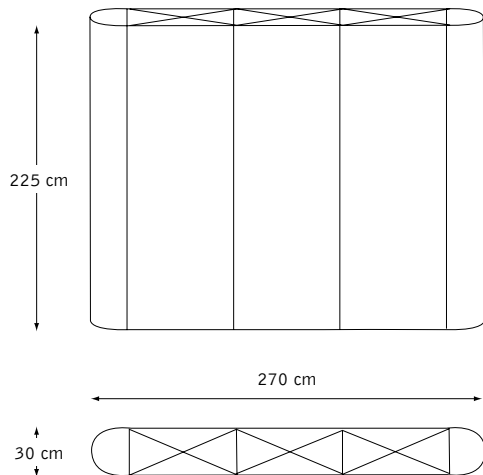
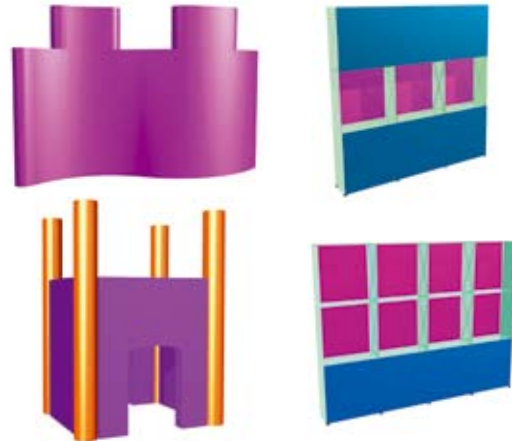
Sensationalise the Showcase!

Using the same frame and the right accessories, one Network system can incorporate any configuration of shelving to display a plethora of products, the result – Network Frost. Each shelving system is constructed from a shatterproof plexiglass and can be bought to suit the shape of your system. When used in conjunction with Network's lighting system, all products displayed will become bigger, brighter and much bolder.



Why choose a Network

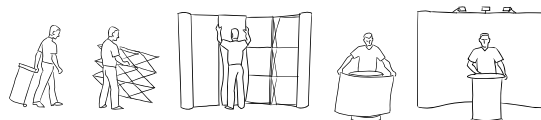
- The famous original, and one of the world's most Sold all metal pop-up structure
- High-precision, light metal structure, aluminum anodized
- Modular, exchangeable re-buildable structure – straight, curved, s-shaped, extended
- Adjustable feet for perfect alignment
- Patented All-in-one case transforms into a counter and sign post



Specification: Maxibit Network & NW Frost

Versions:	Curved, Straight, S-shaped, SquareEdge, custom heights.
Construction:	Aluminium pop-up system. The system, graphics, lights, extension cord and accessories are transported in the All-in-One Podium.
Graphics:	Laminated paper or digital transparencies, matte or glossy.
Graphic size:	Front panel: 68x223.5 cm. Side panel: 66x223.5 cm. SquareEdge: 30x223.5 cm. Back panel: 80x223.5 cm. Straight panel: 73.3x223.5 cm. Display counter (All-in-One): 163x82 cm.
Width:	Four sections = 320 cm. The number of sections may be freely added.
Depth:	Each section is about 30 cm deep.
Height:	Three sections = 225 cm. The number of sections may be freely added.
Weight:	4x3 sections = 33 kg incl. graphics, lights and display counter.

Maxibit (GB) Ltd.



The Original Since 1978